

# Radio/router module for Kamstrup electricity meters

**Wireless radio reading of Kamstrup electricity meters 162/382/351A**

**Built-in router functionality**

**Built-in load profile/daily/event loggers including real time clock (RTC)**

**Easy to install in the module area of the meter (Plug and Play)**

**Built-in antenna and optional connection of external antenna**

**Supplied from the meter**

**Tariff control/pulse input/load control possible**



## Application

With a radio/router module it is possible to read the electricity meter without disturbing the customer.

The radio/router module is mounted in the module area of the electricity meter without the use of tools and is ready for use after 10 seconds.

With a top print the functions of the radio/router module can be extended with a pulse input and load control.

The radio/router module can form part of a radio network and communicates with up to 70 other radio units via the built-in router.

Furthermore, the module can be read by means of the hand-held terminal MULTITERM WorkAbout.

The system software of the radio network or the software of the hand-held terminal determine which data to read in the meter.

The radio/router module is furnished with 3 different loggers.

The load profile can be configured for loggings in the interval 5-60 minutes.

The daily logger reads the meter once/day at midnight.

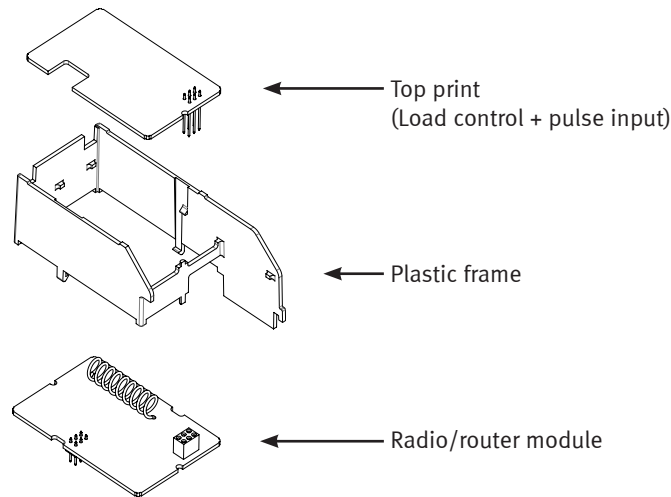
The event logger registers among other things powercuts and clock adjustments.

The radio/router module is available in 2 variants: a license free and a license requiring variant.



Kamstrup A/S  
Industrivej 28, Stilling  
DK-8660 Skanderborg  
TEL: +45 89 93 10 00  
FAX: +45 89 93 10 01  
info@kamstrup.com  
www.kamstrup.com

## Drawing



## Technical data

### Electrical data

Supply	Supplied via the electricity meter.
Range	Up to 200 m – when installed. With external antenna, up to 500 m.
Frequency band	
– License-free	434 MHz range
– License requiring	444.40 MHz
Output	10 mW
Logger depth	
– Daily logger	45 records
– Minute logger	1080 records
– Event logger	64 records

### Mechanical data

Dimensions	42 x 64 mm
Ambient temperature	- 40 - + 63°C
Mounting	Mounted in the modular space of the electricity meter

### Marking/approvals

R&TTE directive	EN 300 220 – class 2 EN 301 489
-----------------	------------------------------------

### CE-marking

Typical reading times – hand-held terminal	Kamstrup 162/382	Kamstrup 351A
Data from the memory of the radio module	6 sec.	7 sec.
Data directly from the meter	11 sec.	19 sec.

See the manual on the hand-held terminal for further information.

## Data telegram – read by hand-held terminal

### Kamstrup 162/382

Meter number – Tariff 1 – Tariff 2 – Pulse in – Energy

### Kamstrup 351 Combi

Meter number – Tariff 1 – Tariff 2 – Pulse in – True energy – Peak power – Calibrated energy – Energy last month – Peak power last month

## Order specification

Radio/router module	6850-022-3XX
Radio/router module with frame	6850-026-3XX
Radio/router module with frame and top print	6850-027-3XX
Top print	6850-029
External antenna	6699-407